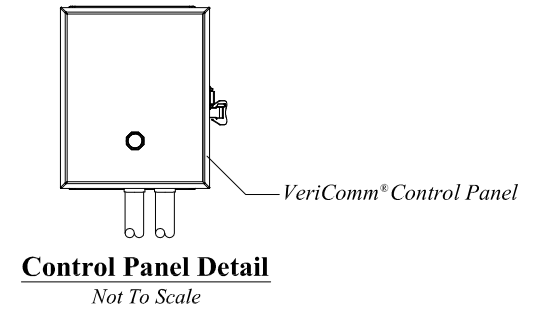
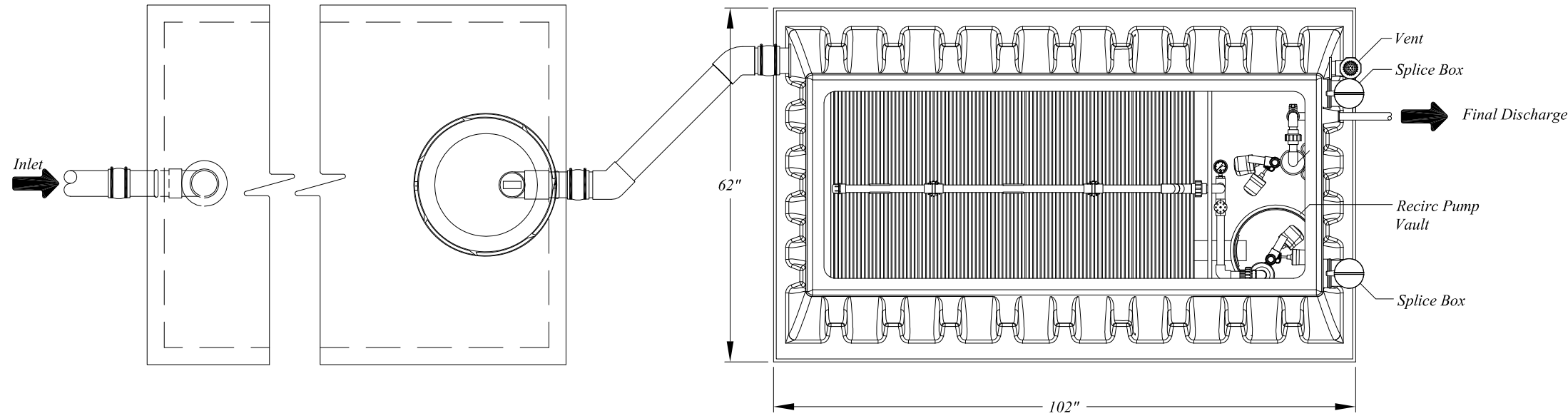


AX20RT Treatment System - Pump Discharge

Filter Tank Dry Weight: 900 lbs

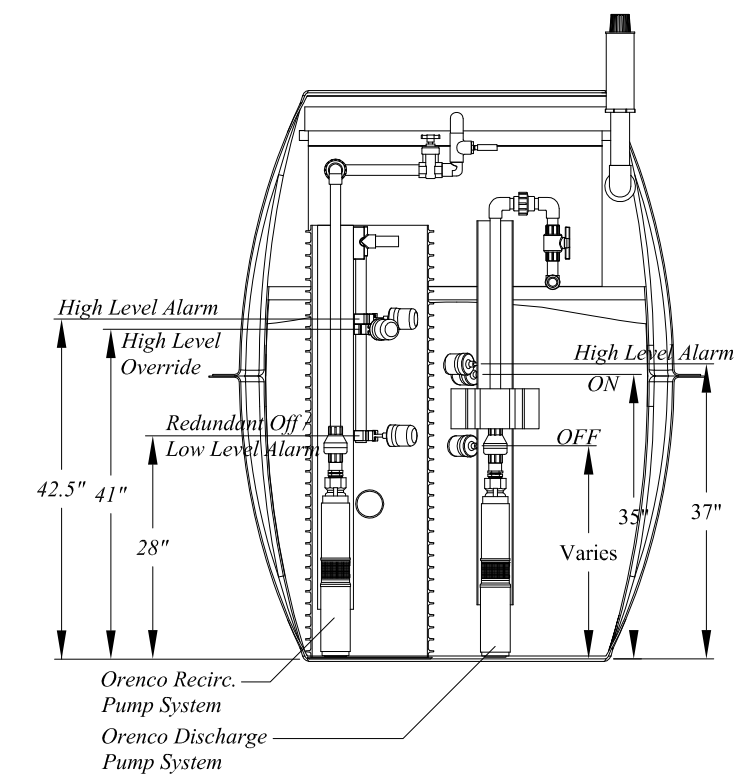
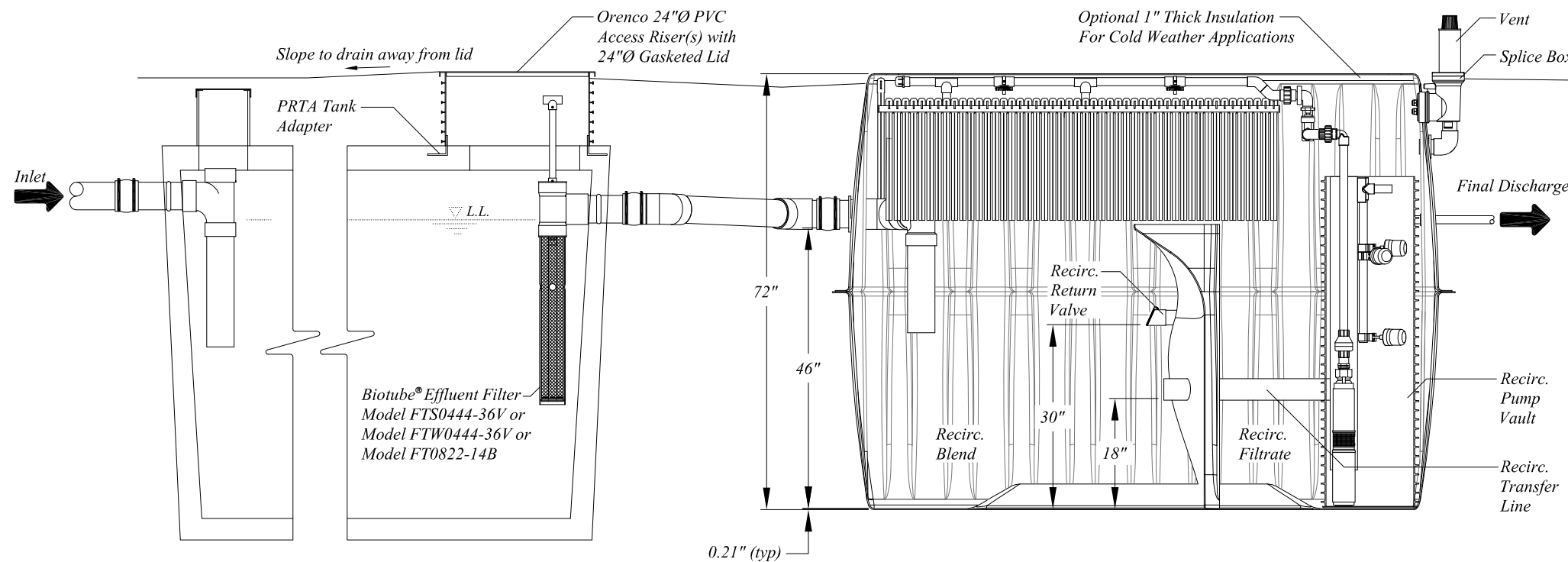
Design and Installation Notes

- For Expected Flows 4 Bedrooms or less
- Installation To Be Performed By An AdvanTex Trained Installer Only
- Start-up And Service To Be Performed By An AdvanTex Trained Service Provider



1000 gal. Primary Tank - Top View

AX20 800 gal. Recirc. Tank - Top View



1000 gal. Primary Tank - Side View

AX20 800 gal. Recirc. Tank - Side View

Discharge Chamber - End View

Copyright © 2012
Orenco Systems®, Inc.

UNAUTHORIZED CHANGES & USES

Orenco has prepared these drawings for use by the design engineer. Orenco will not be responsible or liable for unauthorized changes to or uses of these drawings. All changes to these drawings must be made in writing and must be approved by the design engineer.

PRODUCT CONFIGURATION DRAWINGS



Drawn By: BEN SMITH

Drawn For:

Project:

AX20RT Mode 1B

Title:

NDW-ATX-RT-STD-03

Scale: 1" = 2'-0"

Sheet: 1 OF 1

Rev: A-06

Date: 5/15/2012