

AX20RTUV Treatment System - UV with Pump Discharge

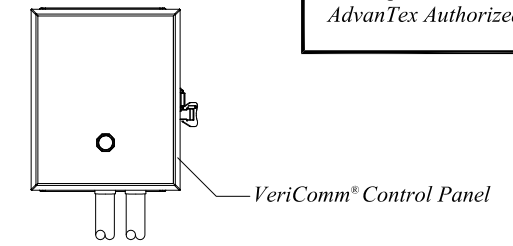
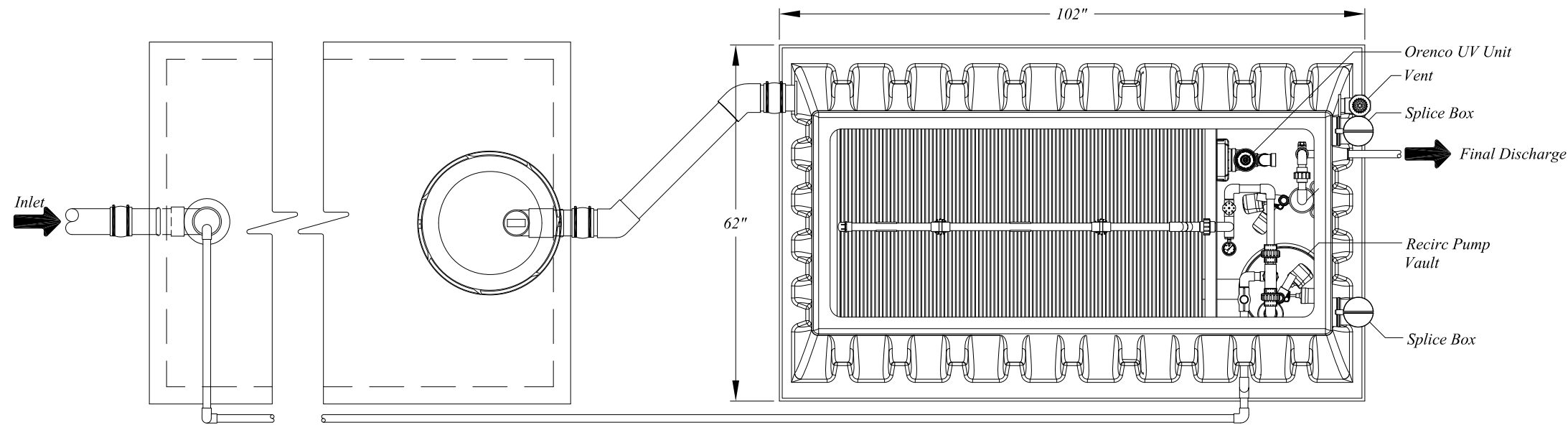
Filter Tank Dry Weight: 900 lbs

Design Notes

For residential strength waste up to 4 bedrooms.

Installation to be performed by an AdvanTex Authorized Installer only.

Start-up and service to be performed by an AdvanTex Authorized Service Provider only.

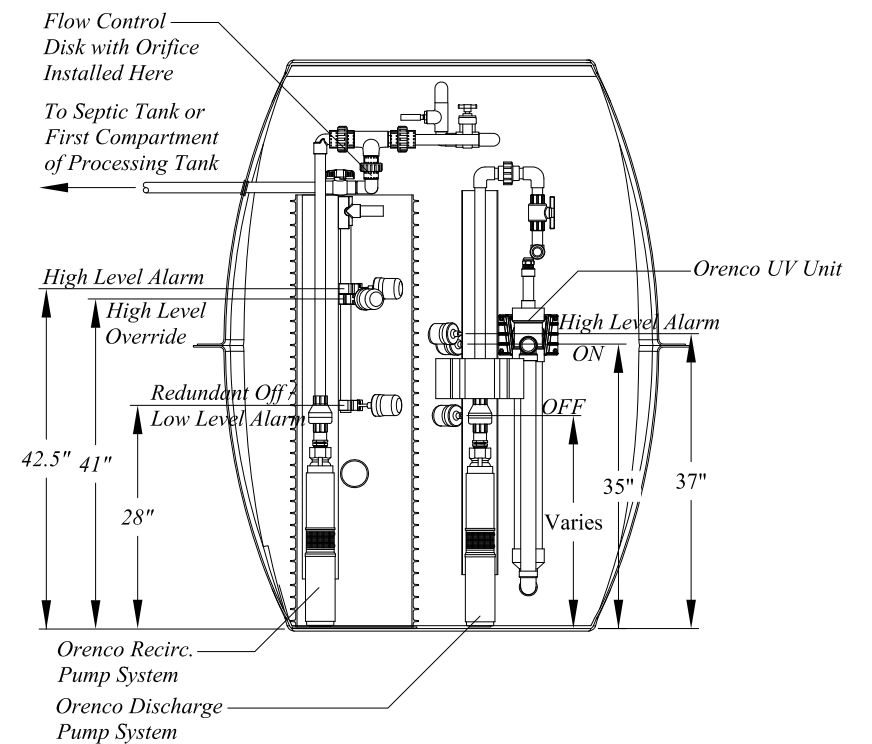
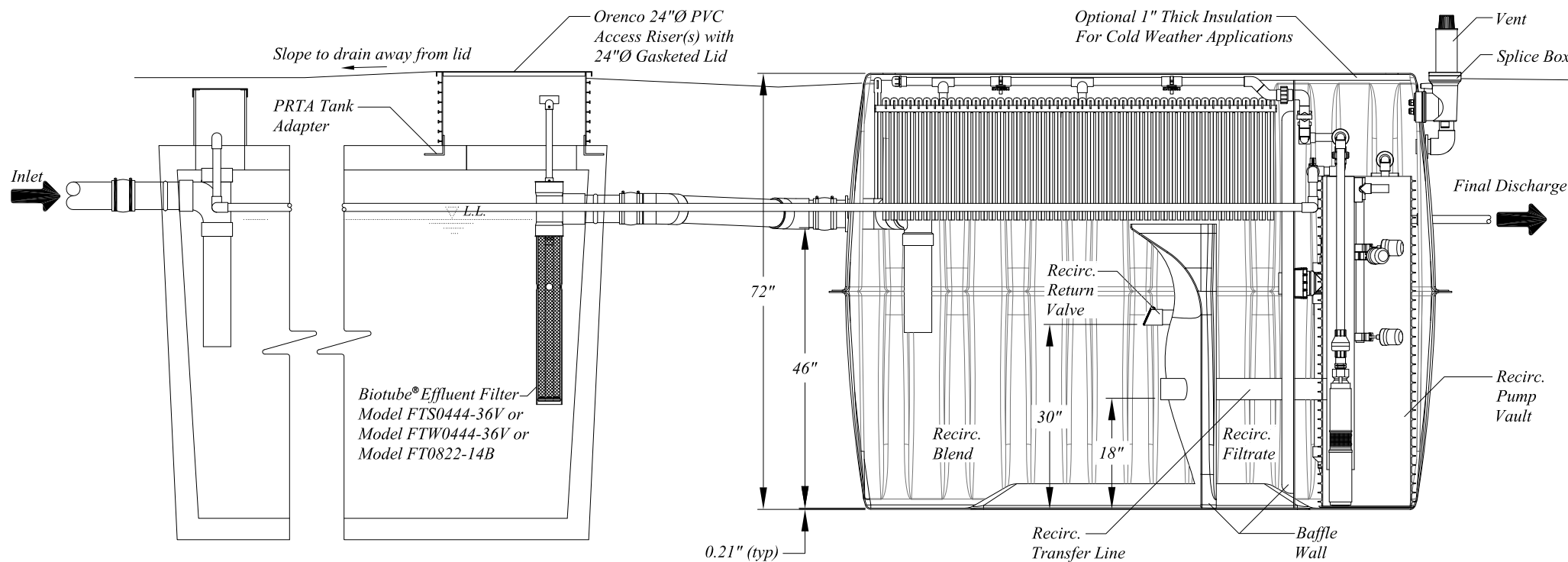


Control Panel Detail

Not To Scale

1000 gal. Primary Tank - Top View

AX20 800 gal. Recirc. Tank - Top View



1000 gal. Primary Tank - Side View

AX20 800 gal. Recirc. Tank - Side View

Discharge Chamber - End View

Copyright © 2013
Oreco Systems®, Inc.

UNAUTHORIZED CHANGES & USES

Oreco has prepared these drawings for use by the design engineer. Oreco will not be responsible or liable for unauthorized changes to or uses of these drawings. All changes to these drawings must be made in writing and must be approved by the design engineer.

PRODUCT CONFIGURATION DRAWINGS



Drawn By: BEN SMITH

Drawn For:

Project:

AX20RTUV Mode 3B

Title:

NDW-ATX-RT-STD-28

Scale: 1" = 2'-0"

Sheet: 1 OF 1

Rev: A-01

Date: 10/25/2013