

AX20RT Treatment System - Gravity Discharge

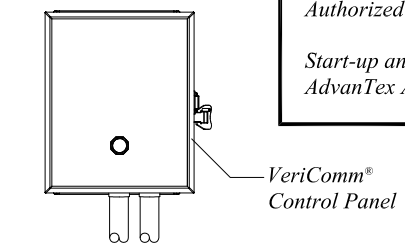
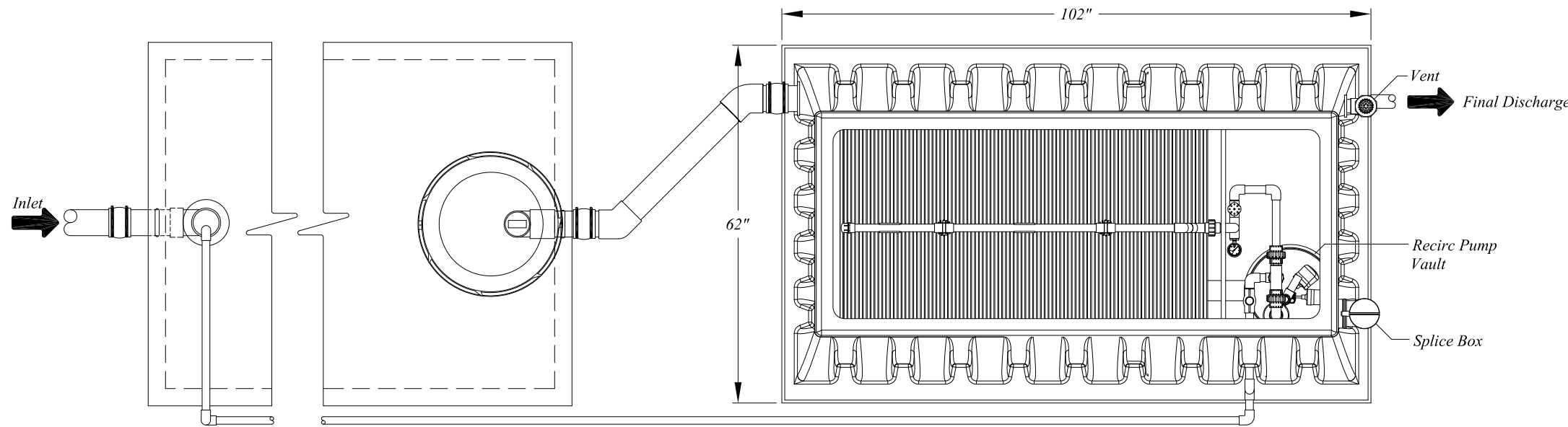
Filter Tank Dry Weight: 860 lbs

Design Notes

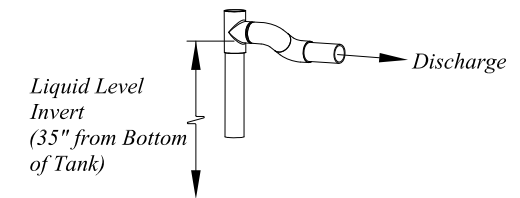
For residential strength waste up to 4 bedrooms.

Installation to be performed by an AdvanTex Authorized Installer only.

Start-up and service to be performed by an AdvanTex Authorized Service Provider only.



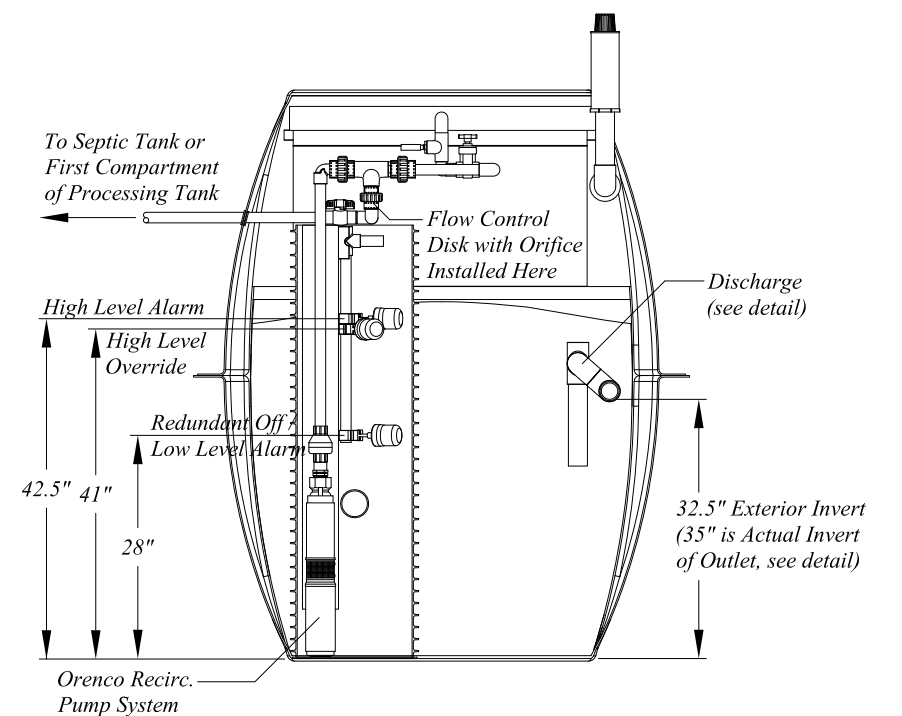
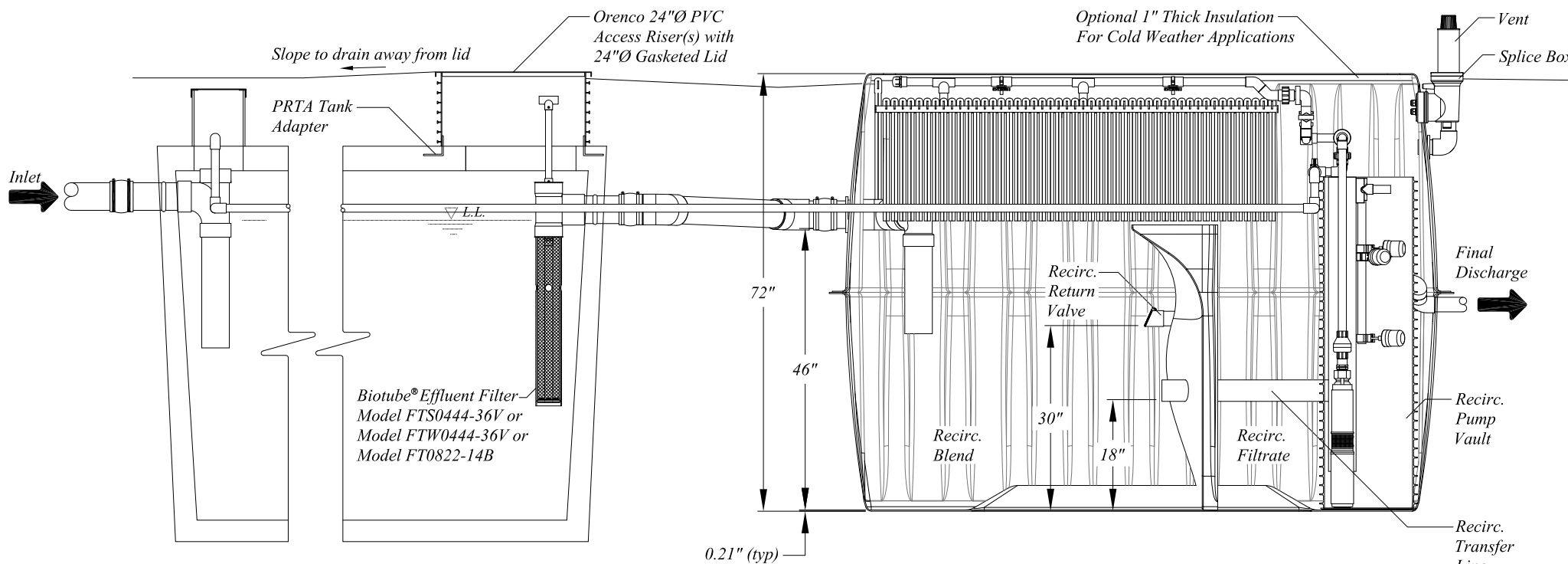
Control Panel Detail
Not To Scale



Discharge Detail
Not To Scale

1000 gal. Primary Tank - Top View

AX20 800 gal. Recirc. Tank - Top View



1000 gal. Primary Tank - Side View

AX20 800 gal. Recirc. Tank - Side View

Discharge Chamber - End View

Copyright © 2013
Orengo Systems®, Inc.

UNAUTHORIZED CHANGES & USES

Orengo has prepared these drawings for use by the design engineer. Orengo will not be responsible or liable for unauthorized changes to or uses of these drawings. All changes to these drawings must be made in writing and must be approved by the design engineer.

PRODUCT CONFIGURATION DRAWINGS



Drawn By: BEN SMITH

Drawn For:

Project:

AX20RT Mode 3A

Title:

NDW-ATX-RT-STD-08

Scale: 1" = 2'-0"

Sheet: 1 OF 1

Rev: A-05

Date: 4/22/2013